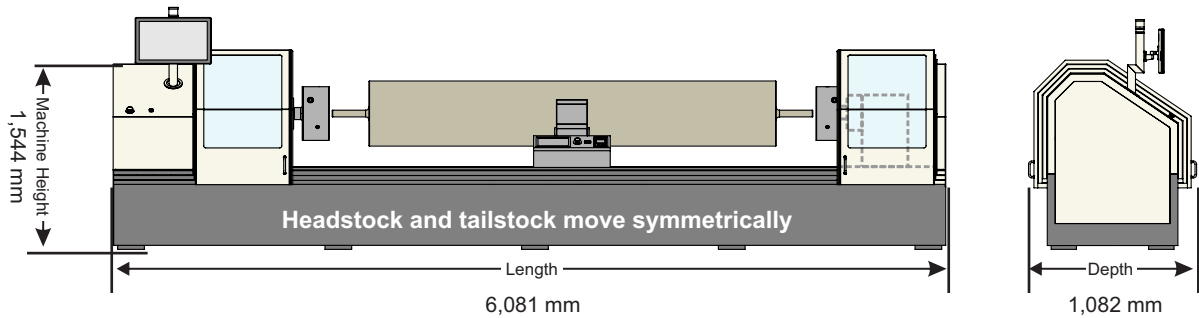


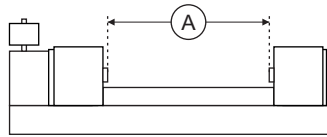
Machine Dimensions and Weight



Cylinder Fixturing Options

Shafted Cylinder

3-Jaw Chuck
(315 mm)



Max Overall Shafted

(A) 3600 mm

Max Face Length

(B) 3000 mm

Throat diameter

103 mm

Shaft diameter

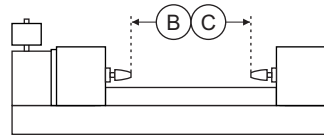
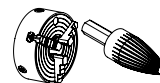
10 - 165 mm

Max swallow depth

99 mm

Hollow Cylinders

3-Jaw Chuck (315 mm)
with Cone/Arbor



Max Overall Shafted

(A) --

Max Face Length

(C) 2500 mm

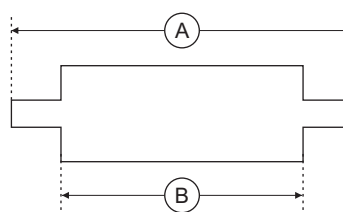
Bore Range

41 - 114 mm

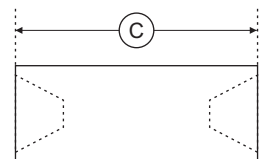
Cylinder Data

Circumference range	350 - 1530 mm ⁽¹⁾
Weight maximum	500 kg
Allowable cylinder taper ⁽²⁾	75 µm
Allowable runout	50 µm
Copper hardness	190 to 230 HV
Deviation of copper hardness	+/-5 HV

Shafted Cylinders



Hollow Cylinders



(1) Maximum physical cylinder sizes. Engraveable Circumferences depend upon applied engrave head, engraving frequency, screen, and screen angle range.
(2) See Site Survey 9800-3143 for details *Weight does not include cylinder.

Machine Technical Data

Environmental Temperature	20 - 25°C, 40-65% relative humidity, non-condensing	
Heat dissipation	1.5kW	
Floor bowing under load	0.2 mm/m	
	Execution according to DIN 18202	
	Do not use intermediate floors or support beams as machine foundation	
Maximum allowable floor vibration	Peak to Peak Amplitude	Frequency
	3.8 µm	2 - 8 Hz
	2.5 µm	9 - 15 Hz
	1.5 µm	16 - 21 Hz
	1.0 µm	>21 Hz

Connections

	Power	Voltage	FrequencyFuse
Power supply	5.00 kVA	1x220V +/- 3%	50/60Hz +/- 1%25A
	5.00 kVA	1x230V +/- 3%	50/60Hz +/- 1%25A
	5.00 kVA	1x240V +/- 3%	50/60Hz +/- 1%25A
Compressed Air	Minimum pressure of 586 Kilopascals or KPa (85 PSI). Minimum reserve capacity: 19 liters (5 gallons) per engraver. Only for Automated engraver		
Communication	Ethernet for Collage Interface. Internet connection, ideally via Collage computer, for TeamViewer remote support is strongly suggested		

Performance and Quality

Mode	3.2kHz	8.1kHz	8.6kHz
Engraving frequency (Hz) ⁽¹⁾	3200	8100	8600
Maximum engraving depth (µm) ⁽¹⁾	70	60	35
Engraving speed m ² /h ⁽¹⁾	0.46 @ 50 l/cm	0.81 @ 60 l/cm	0.38 @ 90 l/cm

Specialty options not listed (tranScribe, Hybrid, High Output). Refer to your quote or sales order for your information

Supplies

Engraving Stylus	90° to 160°
Vacuum bag	

⁽¹⁾ Performance for VISION3 MUL3281/86 engrave head. Additional engraving heads available

Note: Please reference the *Spectrum Site Survey* document (# 9800-3143) for more detailed information.

Ohio Gravure Technologies Inc. • 1241 Byers Road • Miamisburg Ohio 45432 • USA
+1 937 428 1700 • sales@OhioGT.com • www.OhioGT.com